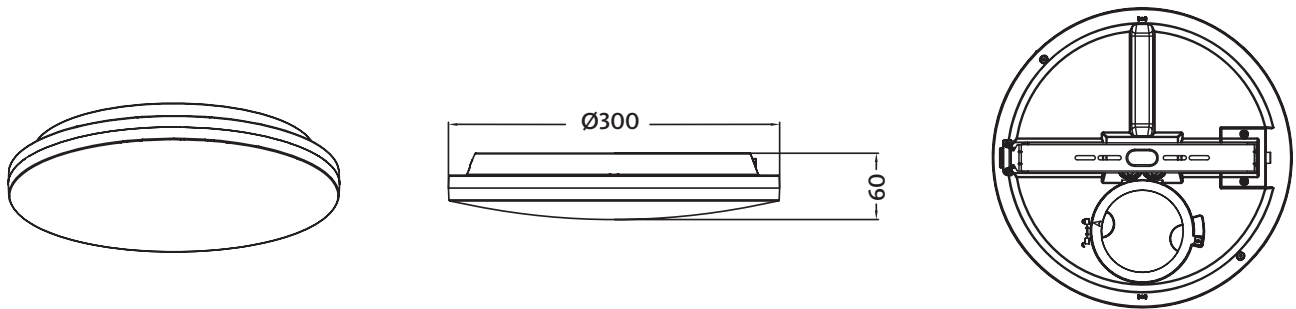
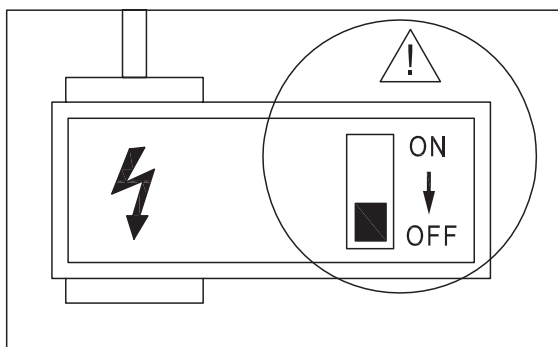


Annero

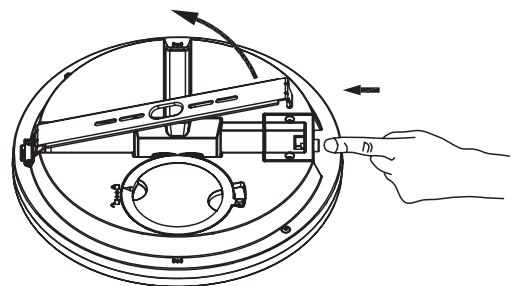
Installation manual – Sensor BH6 465327 & 465328



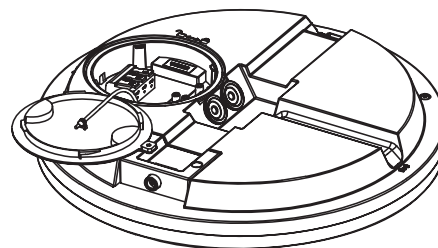
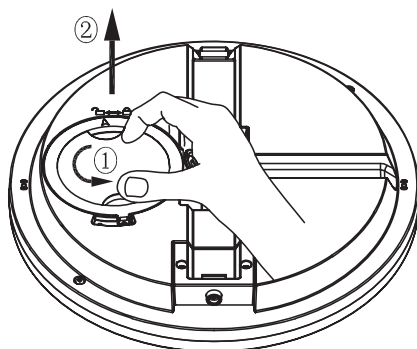
- 1** Make sure main power is turned off.



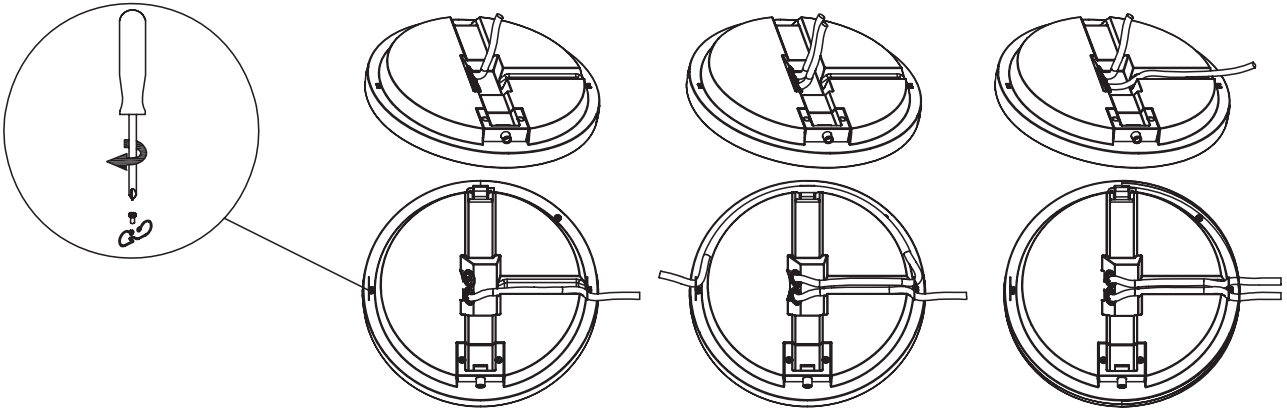
- 2** Remove the bracket.



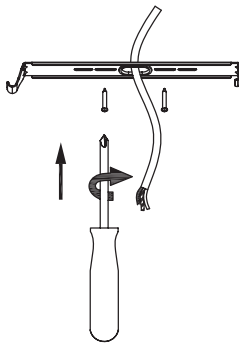
- 3** Twist the power cover of the anticlockwise and pull to remove it.



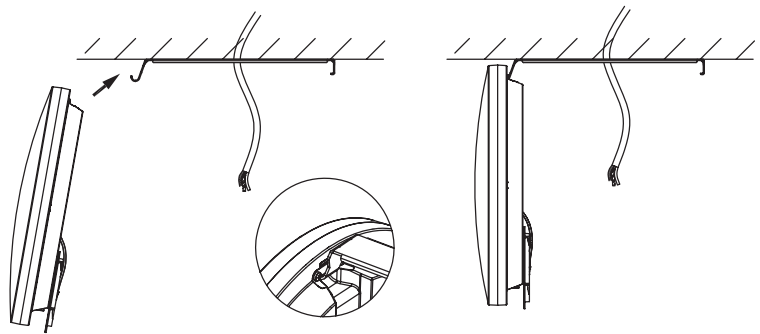
4 Several and flexible placement of AC cable entry.



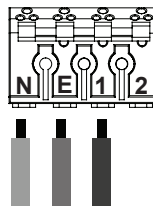
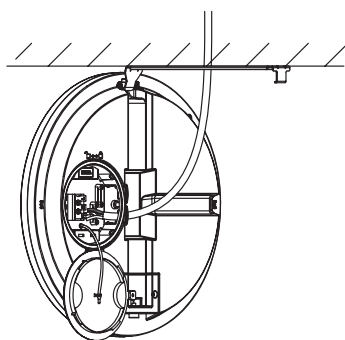
5 Secure the bracket to the ceiling.



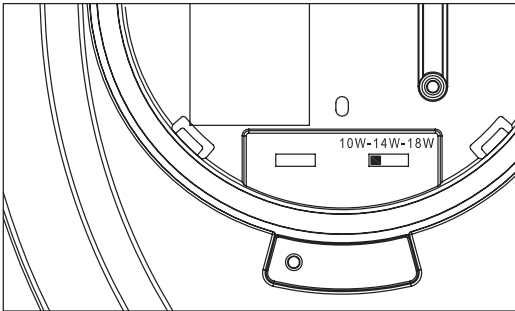
6 Hang the fixture on the bracket.



7 Connect the power cable to the terminal block.



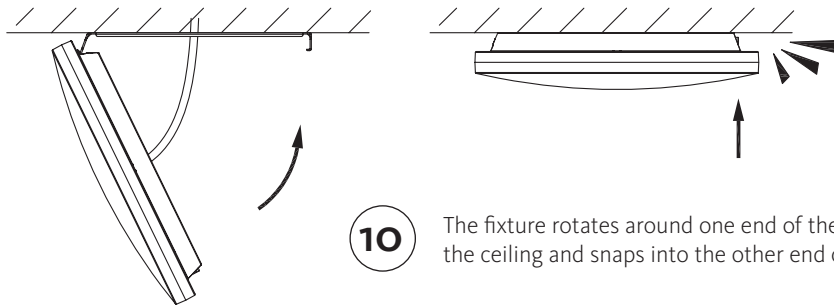
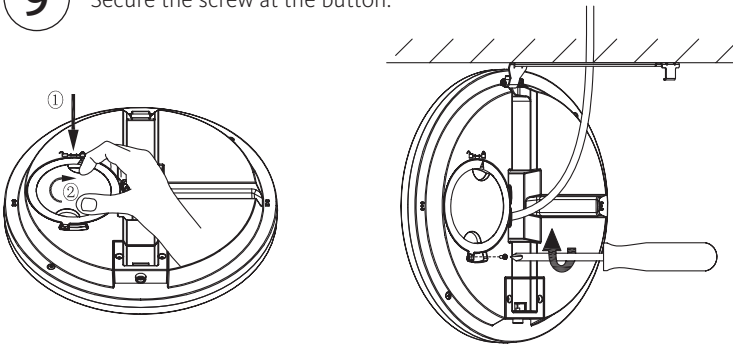
1 = Switched phase
 2 = Permanent phase
 E = Earth conductor
 N = Neutral



8 Wattage Selection: Slide the switch to the selected wattage. The sequence is as below.

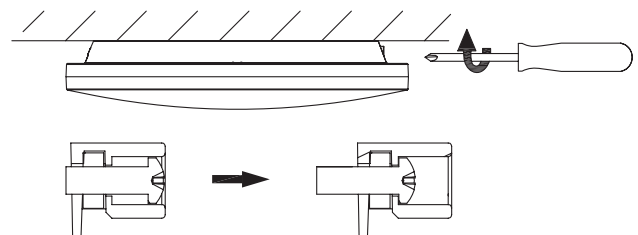


9 Secure the screw at the button.



10 The fixture rotates around one end of the bracket to the ceiling and snaps into the other end of the bracket.

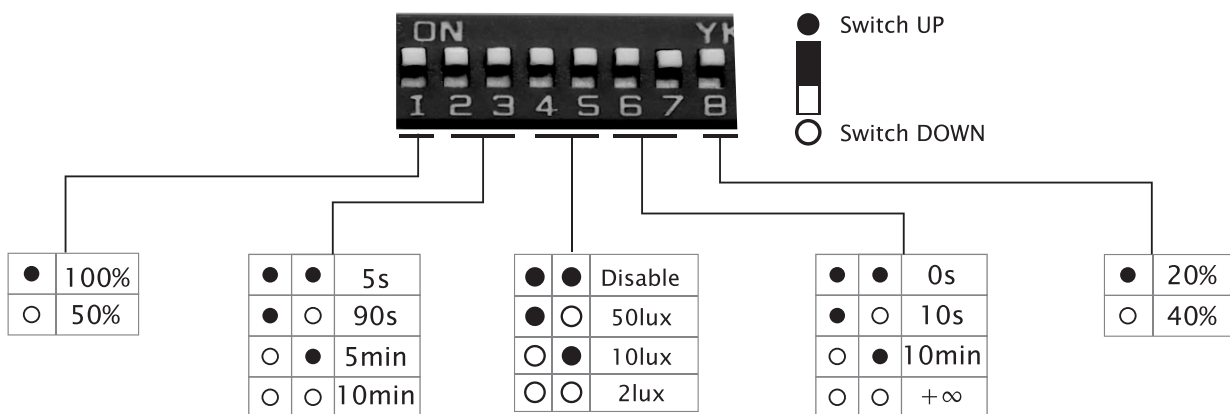
11 Refit the power cover (twist clockwise to secure), secure it the screw.



Sensor funktion

Settings

- 1: Detection area
- 2,3: Hold time
- 8: Stand-by dimming level
- 6,7: Stand-by period
- 4,5: Daylight threshold



Detection area

In this area, movement will be detected and able to trigger the sensor. 100% detection area is also known as the strong sensitivity.

Hold-time

The period of light keeping 100% brightness after moving objects leave the detection area.

Daylight threshold

Definition of the ambient brightness; only when the ambient brightness is lower than the preset specific lux amount, the sensor will work; when it's preset as "disable", the sensor works everytime it detects motion regardless the ambient brightness.

Stand-by period

The period of light keeping low output before it's completely switched off. When it's preset as "∞", the light always keep at low output if no movement in the detection area and doesn't turn off.

Stand-by dimming level

The definition of low output in the standby period.

1. Automatically ON/OFF function:

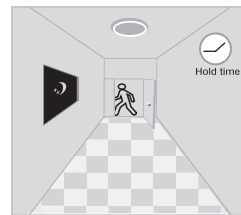
The Stand-by period is set to 0s.
The daylight threshold is set to 2lux, 10lux, 50lux.



With sufficient daylight, even when motion detected, light remains OFF.



With insufficient daylight, when motion detected, light ON.



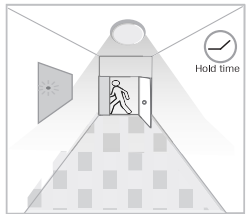
After the last detection and the present hold time elapsed, light OFF.

2. No daylight function

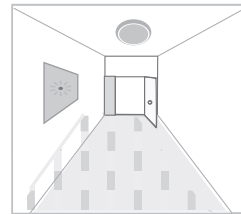
The daylight threshold is set to "Disable".
Light on when detect movement, After people leave, Light off after stand-by period.
Stand-by period is set to $+\infty$, The light will always remain ON.



When motion is detected, the sensor will switch on the light to 100% brightness.



After people leave the detection area, light remains 100% brightness within hold time.



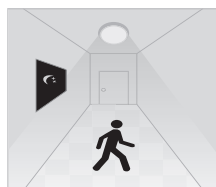
After the last detection and the present hold time elapsed, light OFF.

3. Function Demo - Dimmable control/Corridor function

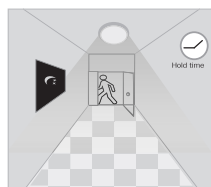
The Stand-by period is set to 10s, 10min.
The daylight threshold is set to 2lux, 10lux, 50lux.



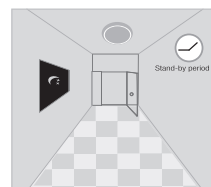
With sufficient daylight, even when motion detected, light remains OFF.



With insufficient daylight, when motion detected, light ON.



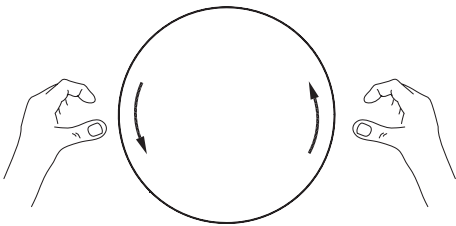
After last detection, the light will be dimmed down to the stand-by dimming level (10% or 30%) after holdtime.



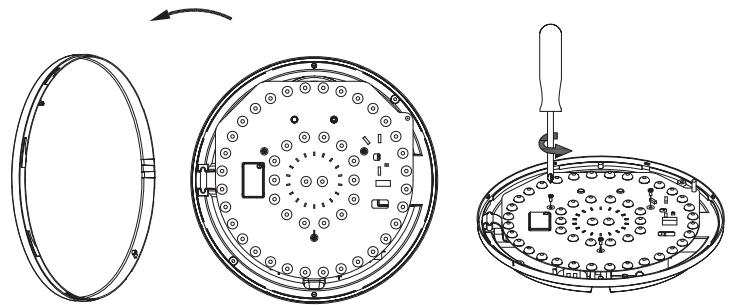
After the stand-by period, light OFF.

Replacement of the light source PCB

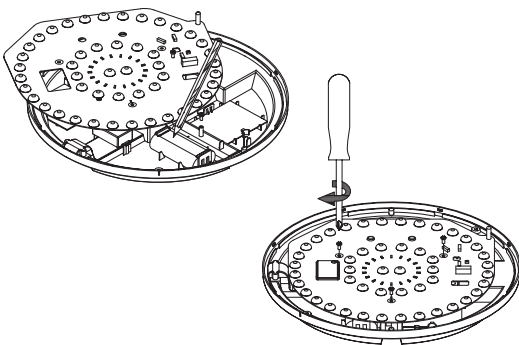
1 Twist the cover of the anticlockwise and pull to remove it.



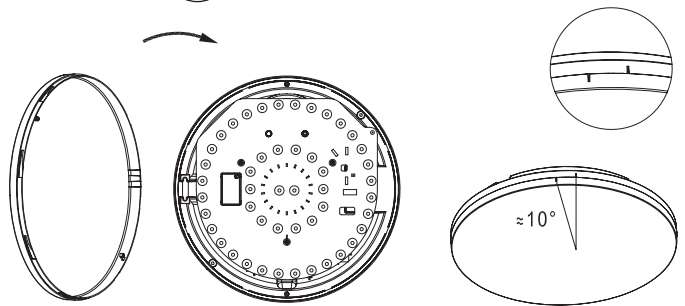
2 Loosen the screws retaining the light source PCB and pull it to remove.



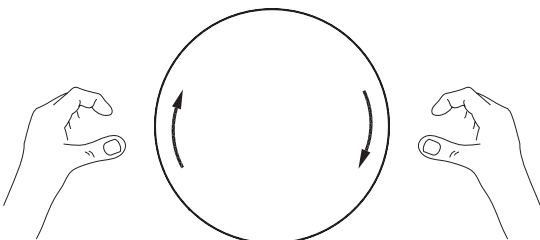
3 Fill in the battery installation date, put the light source PCB into original position and secure the screws.



4 Refit the cover (twist clockwise to secure).



5 Twist the cover to align the protrusions of the cover and the housing.



6 Secure screws and O-ring.

