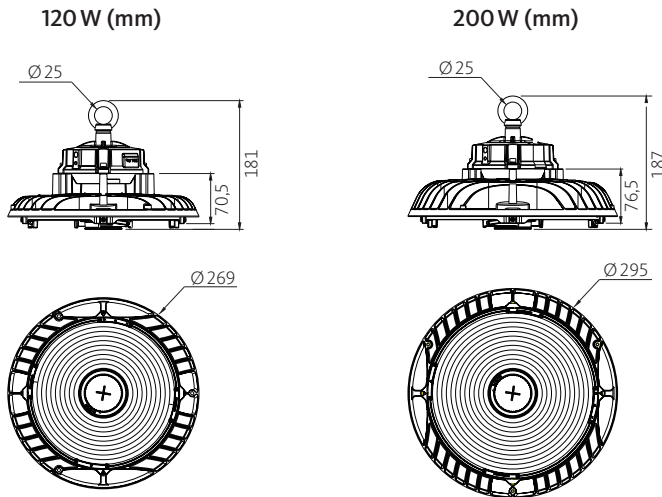


# Spartan

Installation manual



**Note:** Spartan is meant for standard use indoor and specified non-heated areas. For example factories, workshops, warehouses, supermarkets, exhibition halls and similar applications.

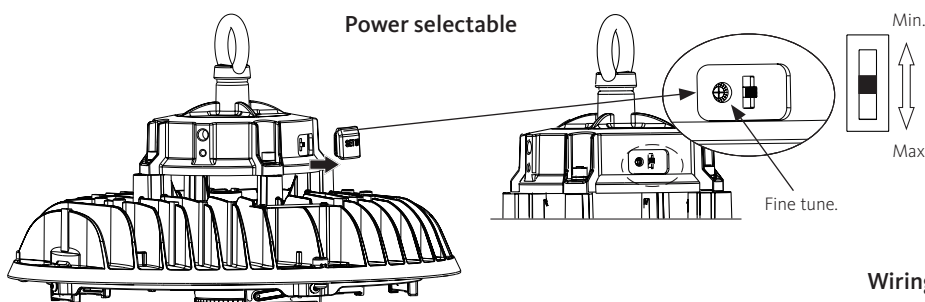
|                                |              |           |
|--------------------------------|--------------|-----------|
| Product Specifications (W)     | 120          | 200       |
| Input Voltage (V)              | 220-240      |           |
| Power Frequency (Hz)           | 0/50-60      |           |
| Outlook Dimensions (mm)        | Ø 269X181    | Ø 295X187 |
| Luminaire Net Weight ±0,3 (kg) | 1,91         | 2,6       |
| Working Temperature (C)        | -30° to +50° |           |
| Storing Temperature (C)        | -40° to +70° |           |

| DALI |   |   |   |
|------|---|---|---|
|      | 1 | 2 | 3 |
| ON   | ● | ○ | ○ |
|      | ○ | ● | ○ |
|      | ○ | ○ | ● |
|      | ○ | ○ | ○ |
|      | ○ | ○ | ○ |
|      | ○ | ○ | ○ |

Max. 120 W

| DALI |   |   |   |
|------|---|---|---|
|      | 1 | 2 | 3 |
| ON   | ● | ○ | ○ |
|      | ○ | ● | ○ |
|      | ○ | ○ | ● |
|      | ○ | ○ | ○ |
|      | ○ | ○ | ○ |
|      | ○ | ○ | ○ |

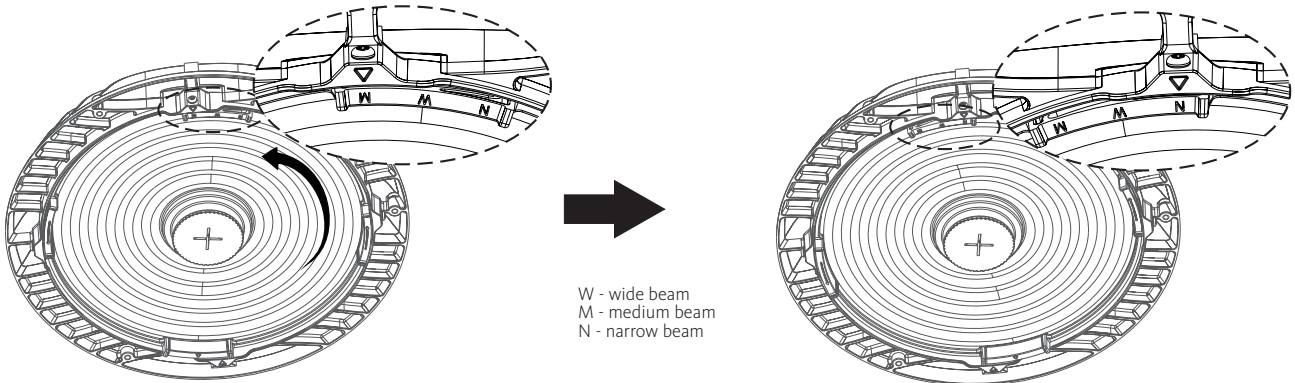
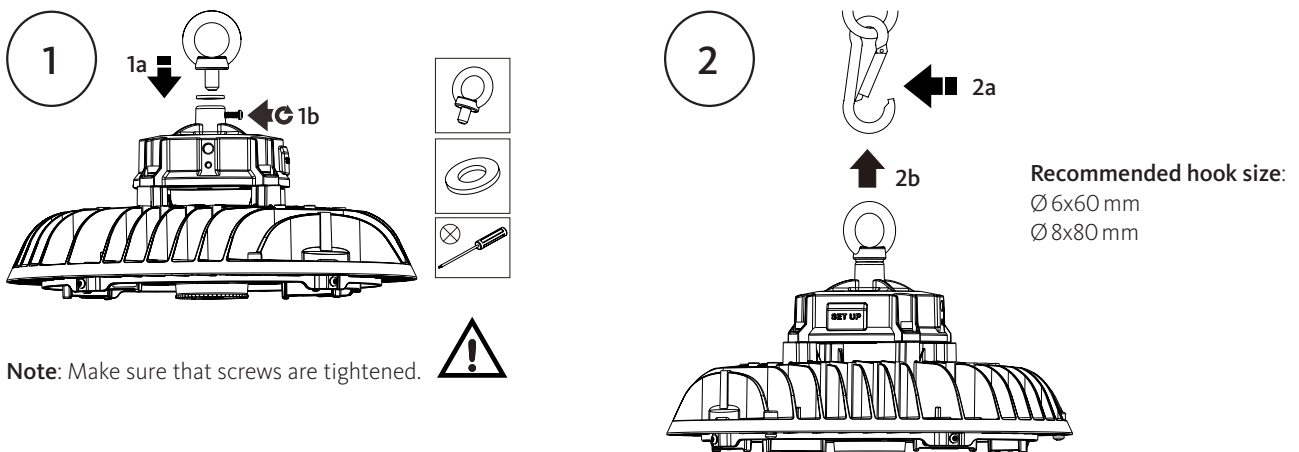
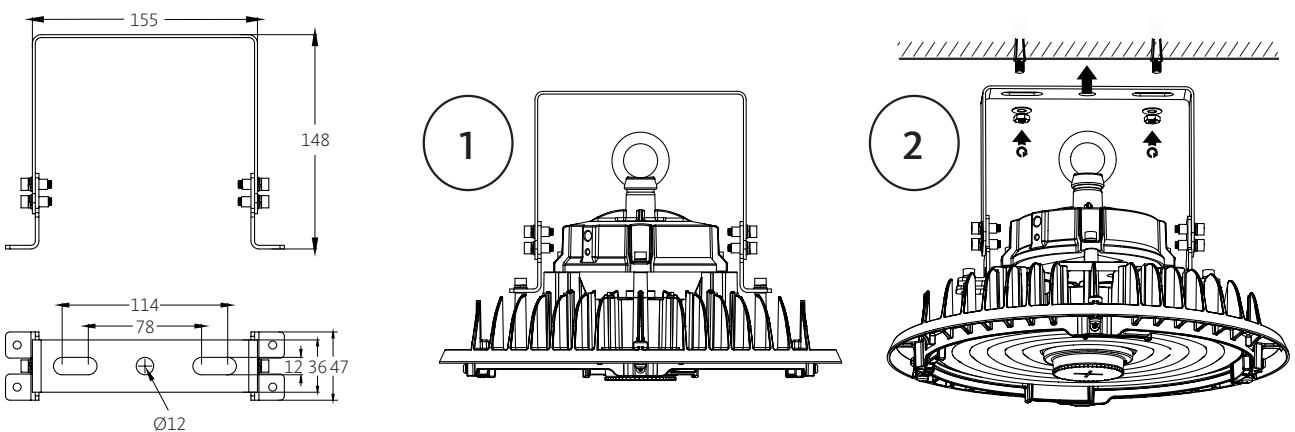
Max. 200 W



| On/off |       |
|--------|-------|
| 200 W  | 120 W |
| 160 W  | 96 W  |
| 120 W  | 72 W  |

## Wiring diagram

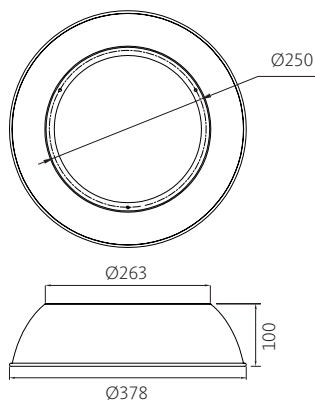


**Rotatable lens**

**Suspension mount**

**Ceiling mount (mm)**


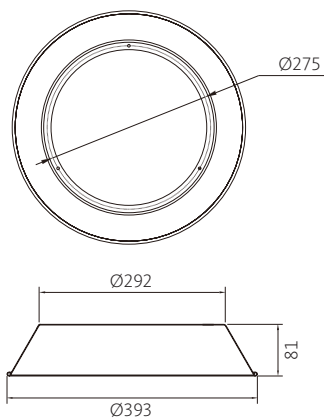
# Accessories

## Aluminium reflector

120 W (mm)



200 W (mm)



### Accessories:

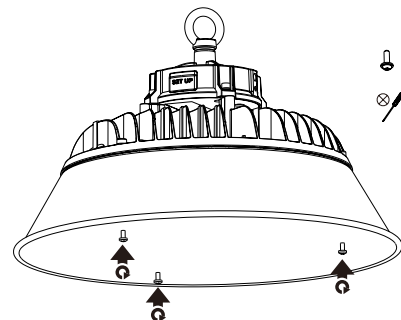
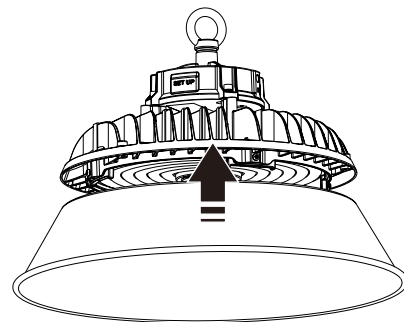
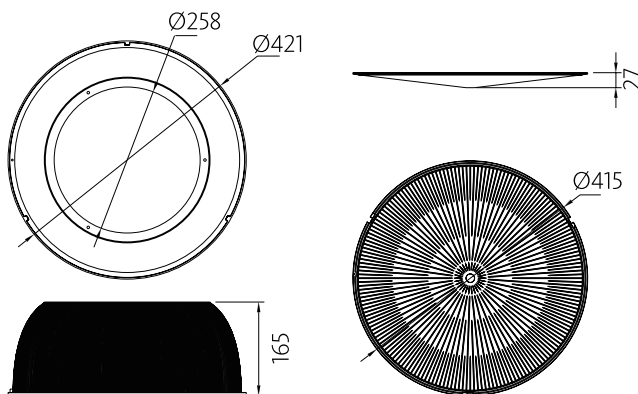
- High bay PC prismatic reflector ..... 83300187
- High bay PC prismatic reflector + cover ..... 83300117
- Safety Chain Ø6x60 mm..... 83310107
- Adjustable bracket (all versions)..... 83310104
- High bay Alu reflector black 90° 120 W..... 83310105
- High bay Alu reflector black 90° 200 W..... 83310106



### Link to auralight.com:

<https://www.auralight.com/en/accessories-luminaires>

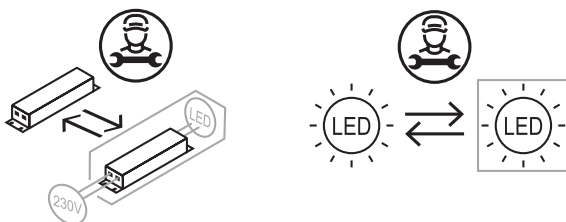
## PC prismatic reflector & cover

200 W (mm)



-  M4x12
- 3 pcs
-  2,0 Nm

| Variant                | Power (W) | Light output (lumen) |       |       | Efficacy (lm/W) |     |     |
|------------------------|-----------|----------------------|-------|-------|-----------------|-----|-----|
|                        |           | WB                   | MB    | NB    | WB              | MB  | NB  |
| Spartan PE D295 On/Off | 200       | 34160                | 32890 | 31050 | 171             | 164 | 155 |
|                        | 160       | 27500                | 26480 | 25000 | 172             | 166 | 156 |
|                        | 120       | 21140                | 20350 | 19220 | 176             | 170 | 160 |
| Spartan PE D269 On/Off | 120       | 20450                | 19690 | 18590 | 170             | 164 | 155 |
|                        | 96        | 16540                | 15920 | 15030 | 172             | 166 | 157 |
|                        | 72        | 12600                | 12130 | 11450 | 175             | 168 | 159 |
| Spartan PE D295 DALI   | 200       | 34160                | 32890 | 31050 | 171             | 164 | 155 |
|                        | 150       | 26220                | 25240 | 23830 | 175             | 168 | 159 |
|                        | 120       | 21140                | 20350 | 19220 | 176             | 170 | 160 |
|                        | 100       | 17860                | 17190 | 16230 | 179             | 172 | 162 |
| Spartan PE D269 DALI   | 120       | 20450                | 19690 | 18590 | 170             | 164 | 155 |
|                        | 100       | 17280                | 16640 | 15710 | 173             | 166 | 157 |
|                        | 80        | 14000                | 13480 | 12730 | 175             | 169 | 159 |
|                        | 60        | 10580                | 10190 | 9620  | 176             | 170 | 160 |



The luminaire contains a control gear and a replaceable LED light source that should only be replaced by manufacturer.